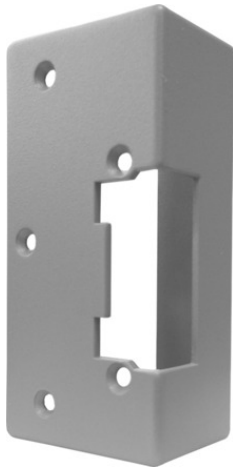


SU surface shield

Reference: ESCUDO SU/G
Product code: 20690061
EAN code: 8429898006789

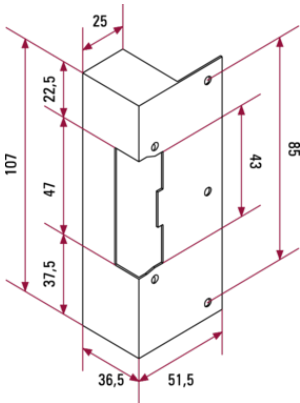


Main characteristics

- Surface shield for all CV-14P, CV-24P, CV-14 and CV-24 electric strikes
- Dimensions shield 107 X 51 X 36.5 mm

More information

Dimensions:



Visit in the website: <https://www.golmar.es/products/escudo-su-g>

Visit in the website: <https://www.golmar.es/products/escudo-su-g>