



D-302182

English



Installation Instructions

PGM-5

PowerMax Pro / PowerMaxComplete / PowerMaxExpress / PowerMaster-10 G2 / PowerMaster-30 G2 / PowerMaster-33 G2 Interface Unit

1. DESCRIPTION

PGM-5 (see Figure 1) is an output interface module designed to provide alarm, trouble events and status signals to external devices such as long range wireless monitoring transmitters, CCTV systems, home-automation systems, LED annunciation panels, etc.

The PGM-5 provides 5 solid state relay contact outputs and is designed to be used as a plug-in internal add-on module with PowerMax Pro, PowerMaxComplete, PowerMaxExpress, PowerMaster-10 G2, PowerMaster-30 G2 and PowerMaster-33 G2 control panels.

Note: The PGM-5 will be active only if the PGM-5 option was enabled in the factory default of the control panel. For PowerMaster control panels v18 and above, it is required to enable or disable the PGM-5 via the Installer Mode. For detailed instructions, refer to the PowerMaster Installer Guide.

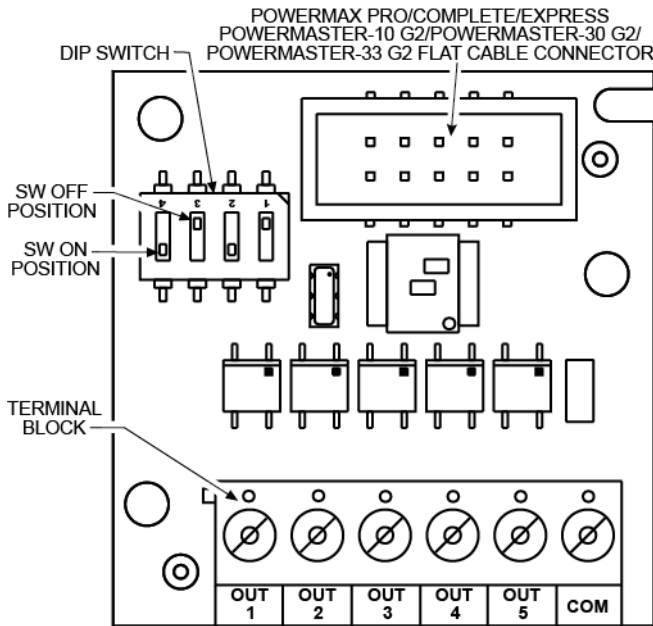


Figure 1 – PGM-5 Printed Circuit

Outputs 1 to 4 provide pre-set signals while output 5 is programmable using DIP switches SW-3 & SW-4 – see Tables 1 & 2.

Table 1 – Output Definitions

Output	Event Type
OUT 1	Burglar & 24Hr audible alarm (Bell time duration). Tamper & 24 Hr silent (2 sec. pulse)
OUT 2	Panic (2 sec. pulse)
OUT 3	Fire (Bell time duration).
OUT 4	Arm / Disarm (actual status of the panel)
OUT 5	See table 2

Table 2 – OUT 5 Signal Setting

SW-4	SW-3	Event Type
OFF	OFF	General trouble (until restored)
ON	OFF	General Low battery (until restored)
OFF	ON	Gas or CO alarm (until restored)
ON	ON	AC failure reported (until restored)

The outputs can be set to either normally open (N.O) or normally closed (N.C), according to the specific application, using DIP switches SW-1 (for outputs 1, 2, 3 & 5) and SW-2 for output 4 (Arm/Disarm) – see table 3.

Table 3 – N.O or N.C Outputs Normal State Setting

Outputs	Switch Setting	Output Normal State	
OUT 1,2, 3 & 5	ON	N.C - Normally Close	
	OFF	N.O – Normally Open	
OUT 4	ON	N.C. = Disarm	N.O. = Arm
	OFF	N.C. = Arm	N.O. = Disarm

Each output will change its state upon occurrence of an event or change of status and will revert to its normal state upon restoral of the event or change of status.

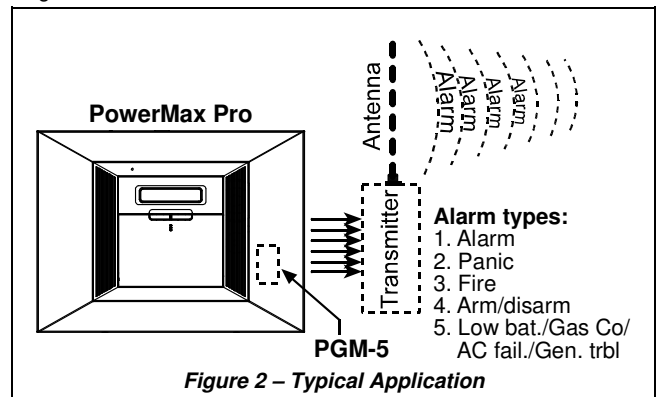


Figure 2 – Typical Application

Figure 3 displays electrical wiring diagrams where the PGM-5 module is connected to an alarm transmitter and to a LED Annunciation Panel.

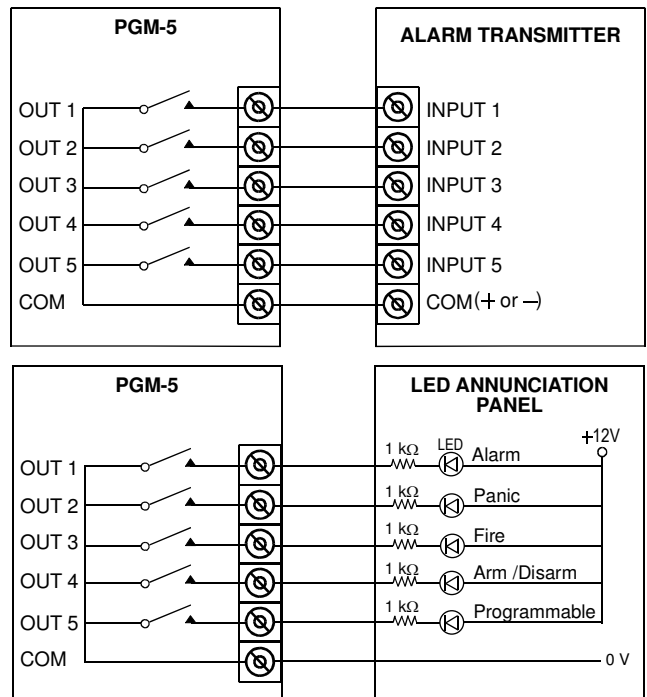


Figure 3 – Electrical Wiring of PGM-5 Module and Alarm Transmitter/ LED Annunciation Panel

2. SPECIFICATIONS

Number of Outputs: 5

Output Type: Solid State Relay – dry contact.

Predefined Output State: N.O. or N.C. programmable (by DIP switch).

Maximum Load Current: 100 mA

Maximum Peak Current: 350 mA @10 ms

Output Resistance R_{ON} : 16Ω max. @ $I_L = 100$ mA

N.O. Leakage Current: <1 uA

Maximum Load Voltage: 15 V

Operating Temperatures: 0°C to 50°C (32°F to 122°F)

Compliance with Standards: EN 50130-4

3. MOUNTING AND WIRING

In the PowerMax Pro, PowerMaxComplete, PowerMaster-30 G2 and PowerMaster-33 G2 control panels, press the PGM-5 module into the marked location (see Figures 4a, 4b and 4e) until a click is heard.

In the PowerMaxExpress and PowerMaster-10 G2 control panels, use the two screws to fasten the PGM-5 module into the marked location, as illustrated in Figure 4c and 4d.

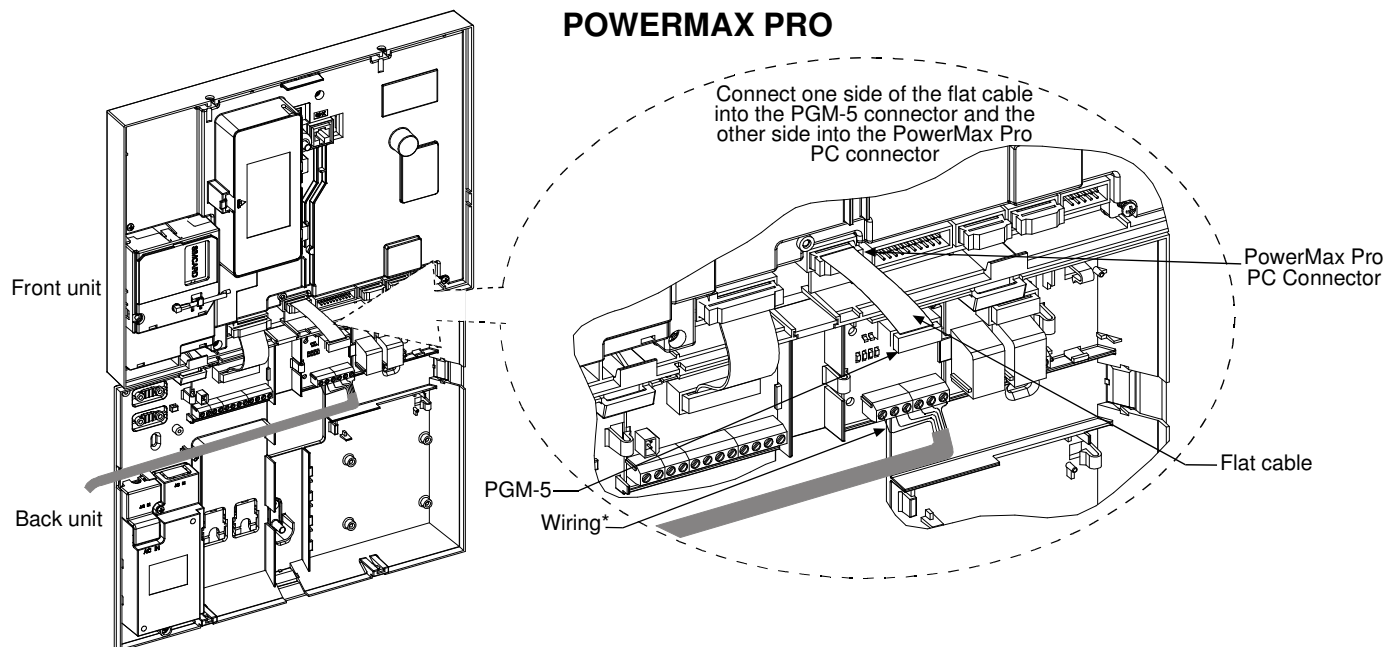


Figure 4a – PGM-5 Mounting and Wiring in PowerMax Pro Control Panel

** It is strongly recommended to route the cable as shown to prevent interference which may occur if routed too close to the control panel's antennas.*

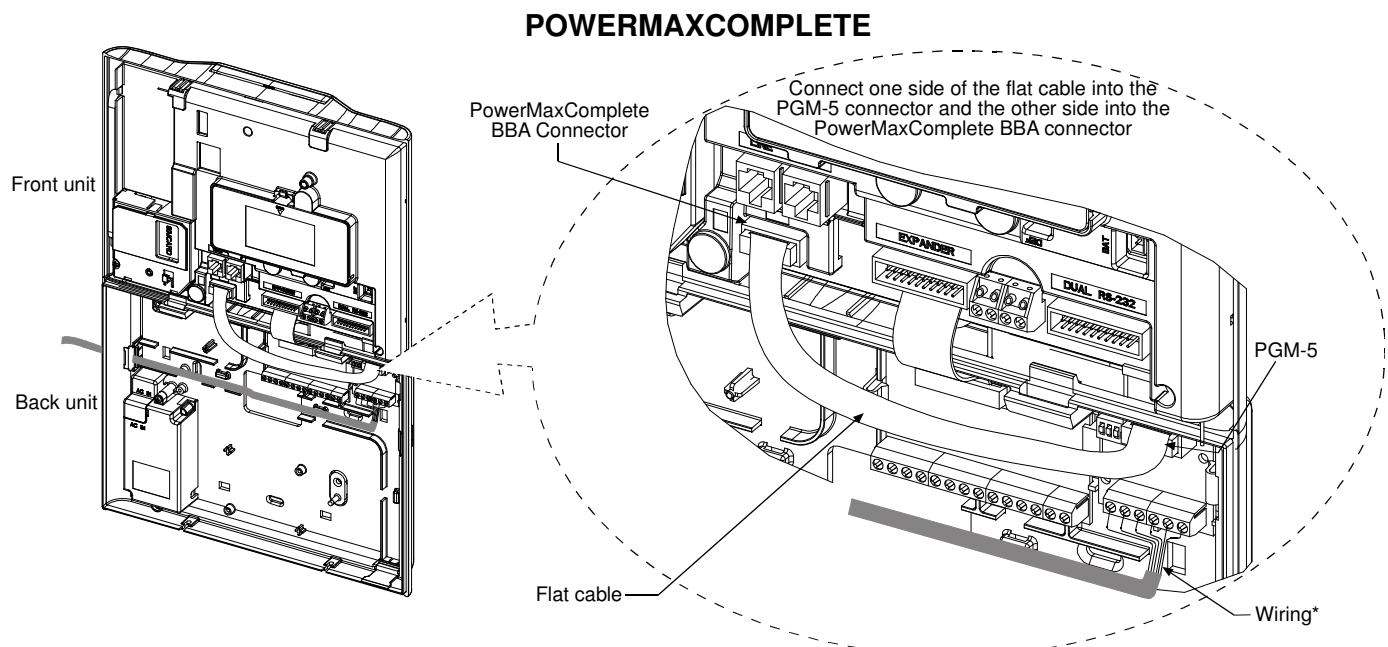


Figure 4b – PGM-5 Mounting and Wiring in PowerMaxComplete Control Panel

** It is strongly recommended to route the cable as shown to prevent interference which may occur if routed too close to the control panel's antennas.*

POWERMAXEXPRESS

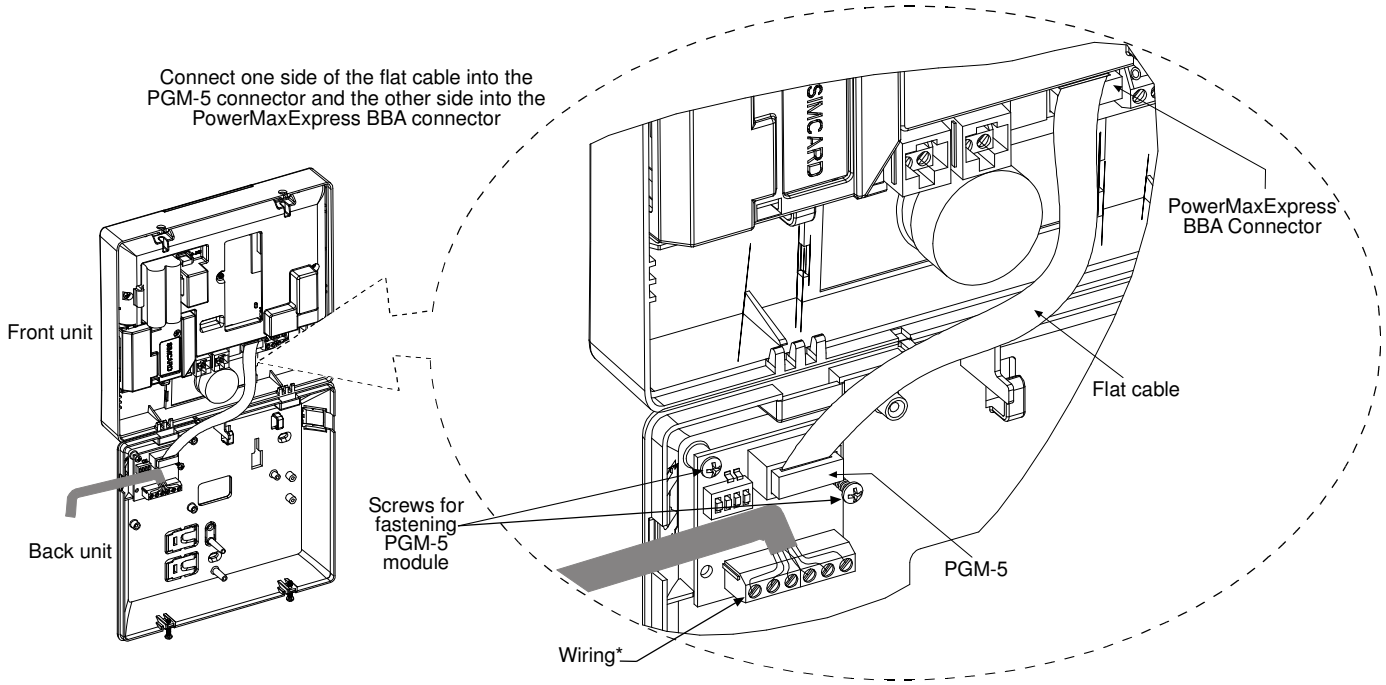


Figure 4c – PGM-5 Mounting and Wiring in PowerMaxExpress Control Panel

* It is strongly recommended to route the cable as shown to prevent interference which may occur if routed too close to the control panel's antennas.

POWERMASTER-10 G2

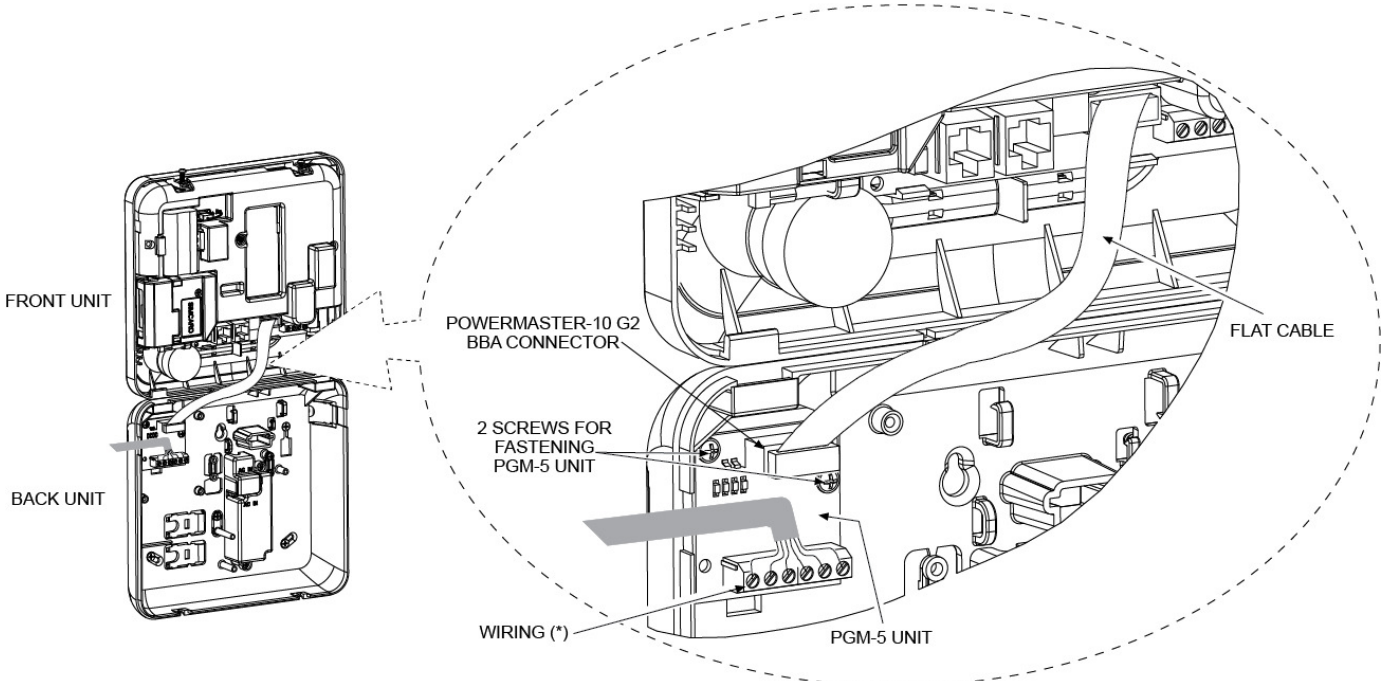


Figure 4d – PGM-5 Mounting and Wiring in PowerMaster-10 G2 Control Panel

* It is strongly recommended to route the cable as shown to prevent interference which may occur if routed too close to the control panel's antennas.

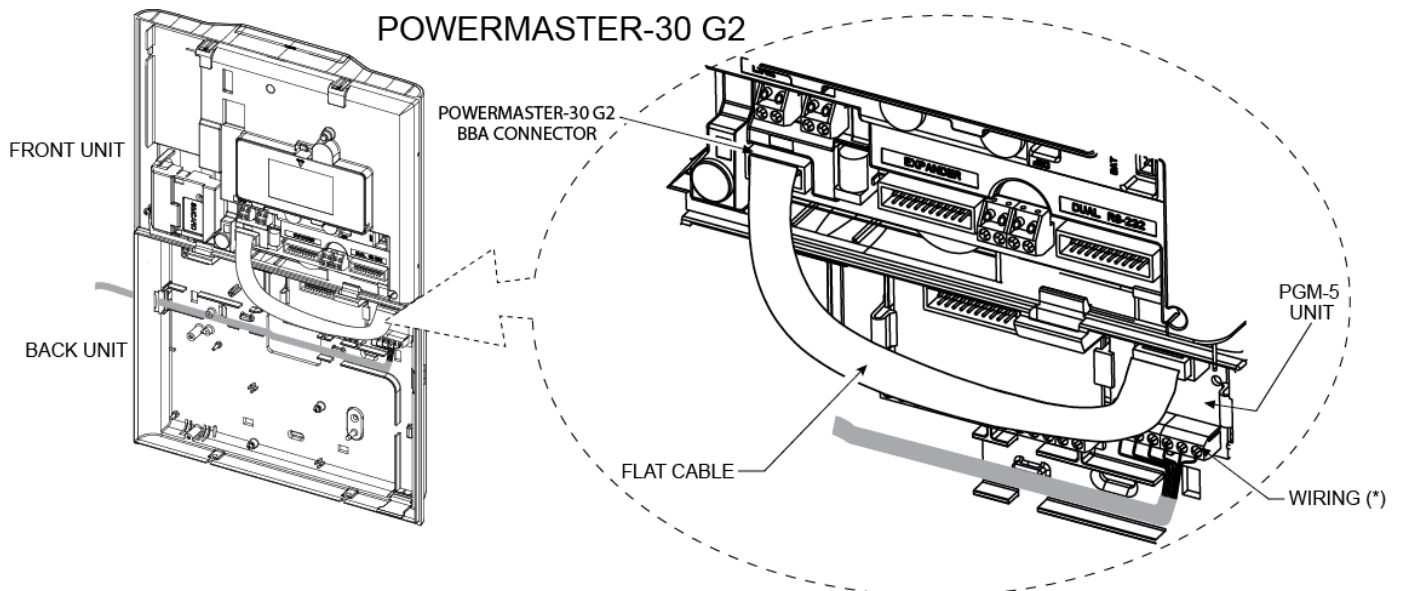


Figure 4e – PGM-5 Mounting and Wiring in PowerMaster-30 G2 Control Panel

* It is strongly recommended to route the cable as shown to prevent interference which may occur if routed too close to the control panel's antennas.

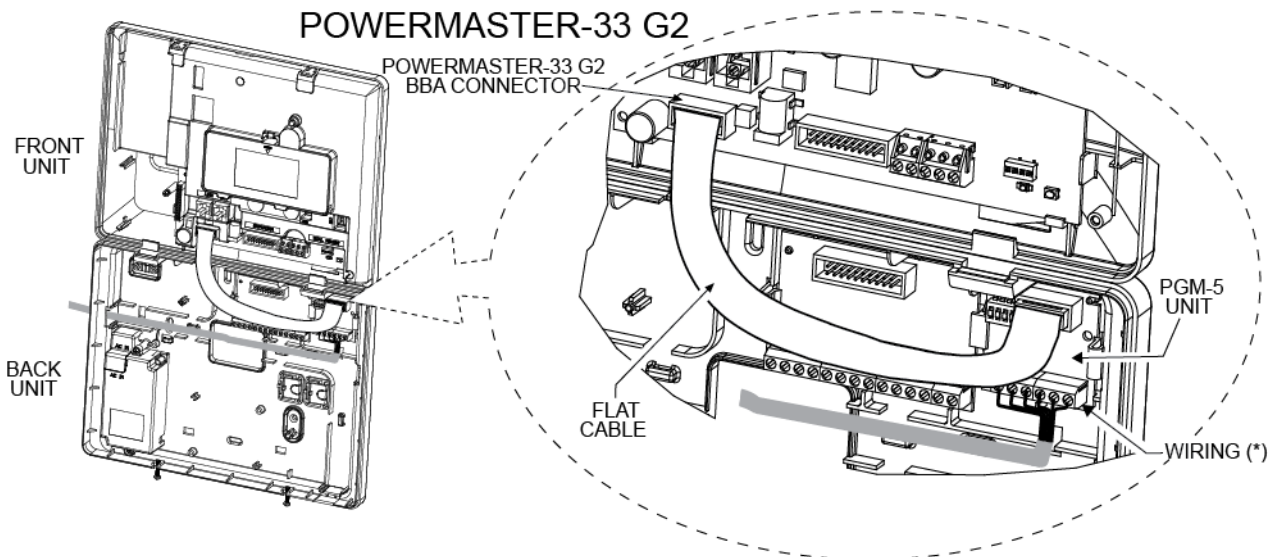


Figure 4f – PGM-5 Mounting and Wiring in PowerMaster-33 G2 Control Panel

* It is strongly recommended to route the cable as shown to prevent interference which may occur if routed too close to the control panel's antennas.

WARRANTY

Visonic Limited (the "Manufacturer") warrants this product only (the "Product") to the original purchaser only (the "Purchaser") against defective workmanship and materials under normal use of the Product for a period of twelve (12) months from the date of shipment by the Manufacturer.

This Warranty is absolutely conditional upon the Product having been properly installed, maintained and operated under conditions of normal use in accordance with the Manufacturer's recommended installation and operation instructions. Products which have become defective for any other reason, according to the Manufacturer's discretion, such as improper installation, failure to follow recommended installation and operational instructions, neglect, willful damage, misuse or vandalism, accidental damage, alteration or tampering, or repair by anyone other than the manufacturer, are not covered by this Warranty.

The Manufacturer does not represent that this Product may not be compromised and/or circumvented or that the Product will prevent any death and/or personal injury and/or damage to property resulting from burglary, robbery, fire or otherwise, or that the Product will in all cases provide adequate warning or protection. The Product, properly installed and maintained, only reduces the risk of such events without warning and it is not a guarantee or insurance that such events will not occur.

THIS WARRANTY IS EXCLUSIVE AND EXPRESSLY IN LIEU OF ALL OTHER WARRANTIES, OBLIGATIONS OR LIABILITIES, WHETHER WRITTEN, ORAL, EXPRESS OR IMPLIED, INCLUDING ANY WARRANTY OF MERCHANTABILITY OR FITNESS FOR A PARTICULAR PURPOSE, OR OTHERWISE. IN NO CASE SHALL THE MANUFACTURER BE LIABLE TO ANYONE FOR ANY CONSEQUENTIAL OR INCIDENTAL DAMAGES FOR BREACH OF THIS WARRANTY OR ANY OTHER WARRANTIES WHATSOEVER, AS AFORESAID.

THE MANUFACTURER SHALL IN NO EVENT BE LIABLE FOR ANY SPECIAL, INDIRECT, INCIDENTAL, CONSEQUENTIAL OR PUNITIVE DAMAGES OR FOR LOSS, DAMAGE, OR EXPENSE, INCLUDING LOSS OF USE, PROFITS, REVENUE, OR GOODWILL, DIRECTLY OR INDIRECTLY ARISING FROM PURCHASER'S USE OR INABILITY TO USE THE PRODUCT, OR FOR LOSS OR DESTRUCTION OF OTHER PROPERTY OR FROM ANY OTHER CAUSE, EVEN IF MANUFACTURER HAS BEEN ADVISED OF THE POSSIBILITY OF SUCH DAMAGE.

THE MANUFACTURER SHALL HAVE NO LIABILITY FOR ANY DEATH, PERSONAL AND/OR BODILY INJURY AND/OR DAMAGE TO PROPERTY OR OTHER LOSS WHETHER DIRECT, INDIRECT, INCIDENTAL, CONSEQUENTIAL OR OTHERWISE, BASED ON A CLAIM THAT THE PRODUCT FAILED TO FUNCTION.

However, if the Manufacturer is held liable, whether directly or indirectly, for any loss or damage arising under this limited warranty, **THE MANUFACTURER'S MAXIMUM LIABILITY (IF ANY) SHALL NOT IN ANY CASE EXCEED THE PURCHASE PRICE OF THE PRODUCT**, which shall be fixed as liquidated damages and not as a penalty, and shall be the complete and exclusive remedy against the Manufacturer. When accepting the delivery of the Product, the Purchaser agrees to the said conditions of sale and warranty and he recognizes having been informed of.

Some jurisdictions do not allow the exclusion or limitation of incidental or consequential damages, so these limitations may not apply under certain circumstances.

The Manufacturer shall be under no liability whatsoever arising out of the corruption and/or malfunctioning of any telecommunication or electronic equipment or any programs.

The Manufacturer's obligations under this Warranty are limited solely to repair and/or replace at the Manufacturer's discretion any Product or part thereof that may prove defective. Any repair and/or replacement shall not extend the original Warranty period. The Manufacturer shall not be responsible for dismantling and/or reinstallation costs. To exercise this Warranty the Product must be returned to the Manufacturer freight pre-paid and insured. All freight and insurance costs are the responsibility of the Purchaser and are not included in this Warranty.

This warranty shall not be modified, varied or extended, and the Manufacturer does not authorize any person to act on its behalf in the modification, variation or extension of this warranty. This warranty shall apply to the Product only. All products, accessories or attachments of others used in conjunction with the Product, including batteries, shall be covered solely by their own warranty, if any. The Manufacturer shall not be liable for any damage or loss whatsoever, whether directly, indirectly, incidentally, consequentially or otherwise, caused by the malfunction of the Product due to products, accessories, or attachments of others, including batteries, used in conjunction with the Products. This Warranty is exclusive to the original Purchaser and is not assignable.

This Warranty is in addition to and does not affect your legal rights. Any provision in this warranty which is contrary to the Law in the state or country where the Product is supplied shall not apply.

Warning: The user must follow the Manufacturer's installation and operational instructions including testing the Product and its whole system at least once a week and to take all necessary precautions for his/her safety and the protection of his/her property.

1/08



W.E.E. Product Recycling Declaration

For information regarding the recycling of this product you must contact the company from which you originally purchased it. If you are discarding this product and not returning it for repair then you must ensure that it is returned as identified by your supplier. This product is not to be thrown away with everyday waste. Directive 2002/96/EC Waste Electrical and Electronic Equipment.



EMAIL: info@visonic.com
INTERNET: www.visonic.com
©VISONIC LTD. 2014 PGM-5 D-302182 (Rev 3, 9/14)



D-302182

