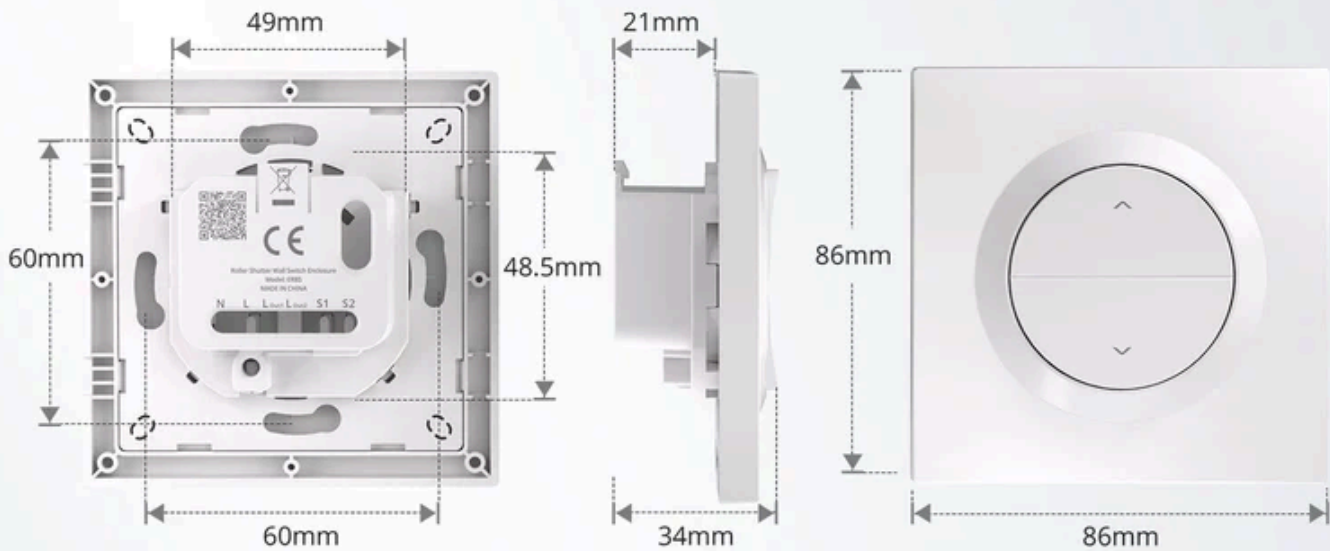




Specification



Color:
White

Dimension:
86x86x34mm

Casing material:
PC

Operating temperature:
-10°C~40°C

【Made of PC Material】 Fireproof, scratch-resistant, and durable without deformation over time.

【Clip-on Installation Design】 Reduces wiring complexity and enhances user Experience.

【Micro-arc Button Design】 Better aligned with the user's pressing angle, providing precise and effortless tactile feedback.

【Ultra-Slim Design】 With a thickness of just 21mm, it is perfectly compatible with standard EU round wall boxes.

Roller Shutter Wall Switch Enclosure

(Designed for SONOFF MINI-RBS)



Innovative Design, Ultimate Experience



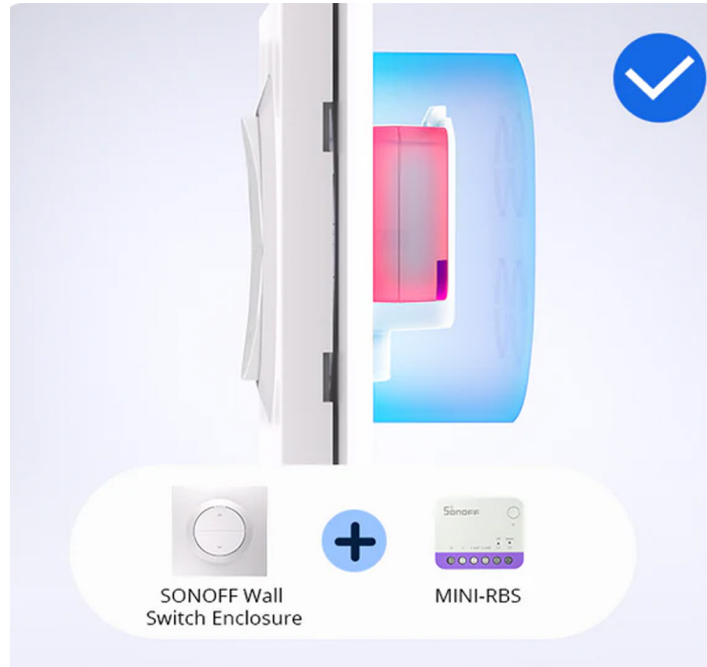
Solve the Wall Box Space Crunch

*Note: The depth of the wall mounting box must be greater than 30mm.



Before

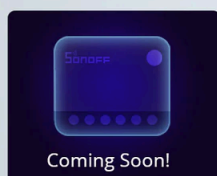
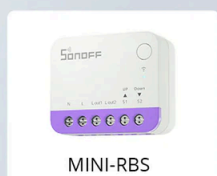
After installing the MINI-RBS, it exceeds the available space of the mounting box.



After

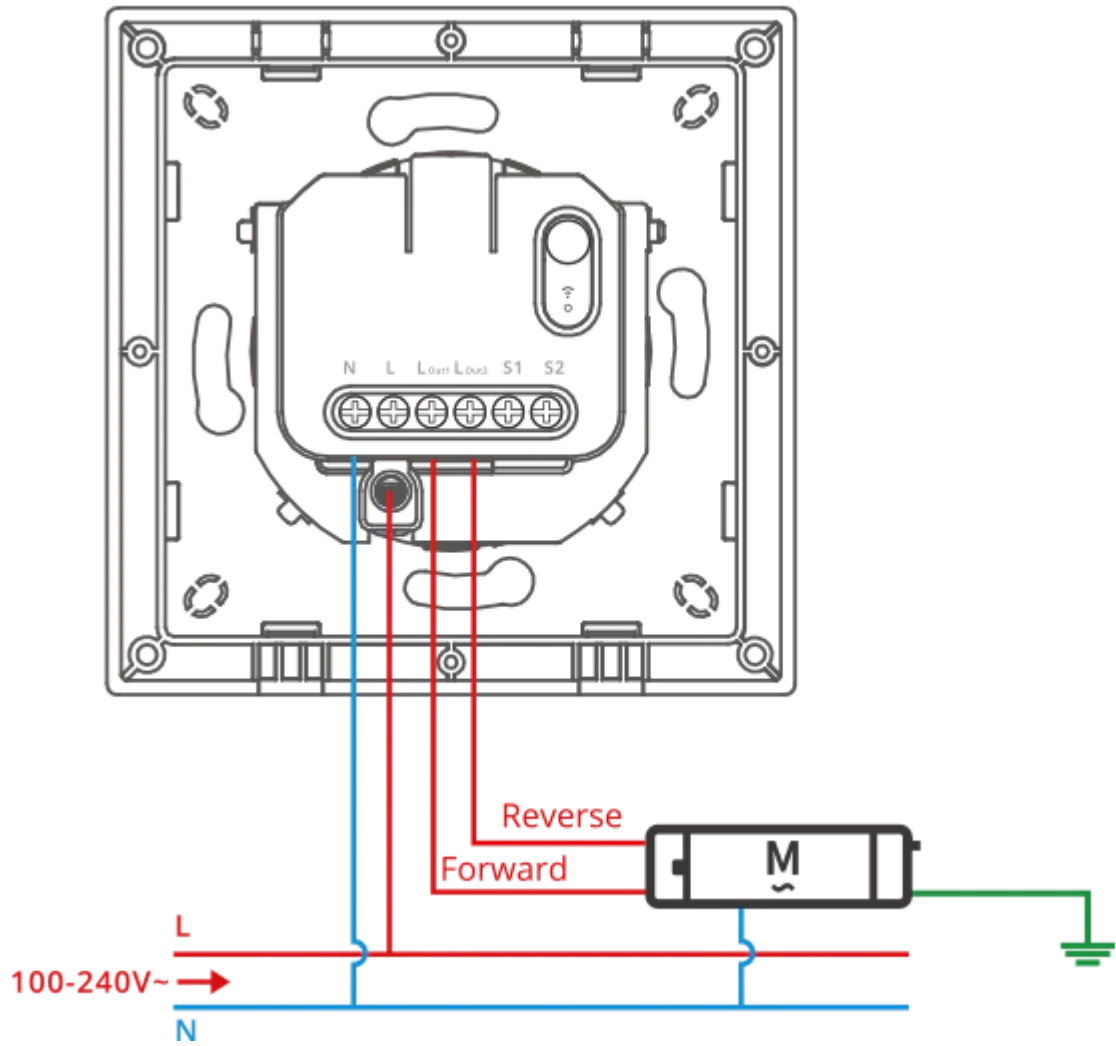
Fits in more compact wall mounting box.

Compatible SONOFF Roller Shutter in-wall Retrofit Module



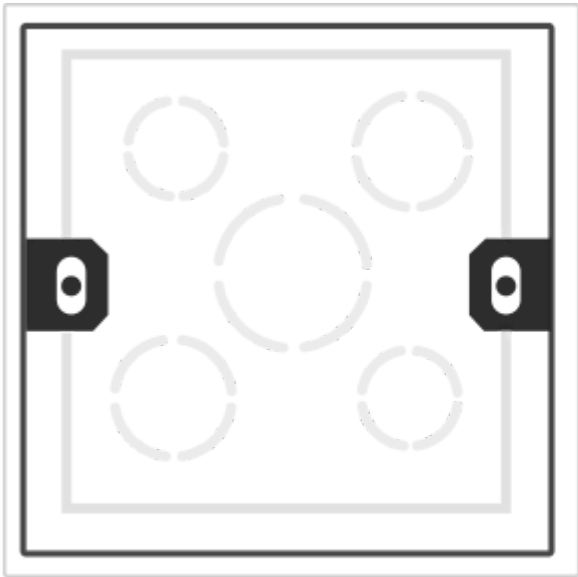
Wiring Instructions

*Note: Before wiring, loosen all the screws on the MINI-RBS wiring terminals. After completing the wiring, tighten the screws securely.



Applicable Mounting Box

European Round Mounting Box($\Phi 60\text{mm}$, $\Phi 80\text{mm}$) / 86-Type Mounting Box

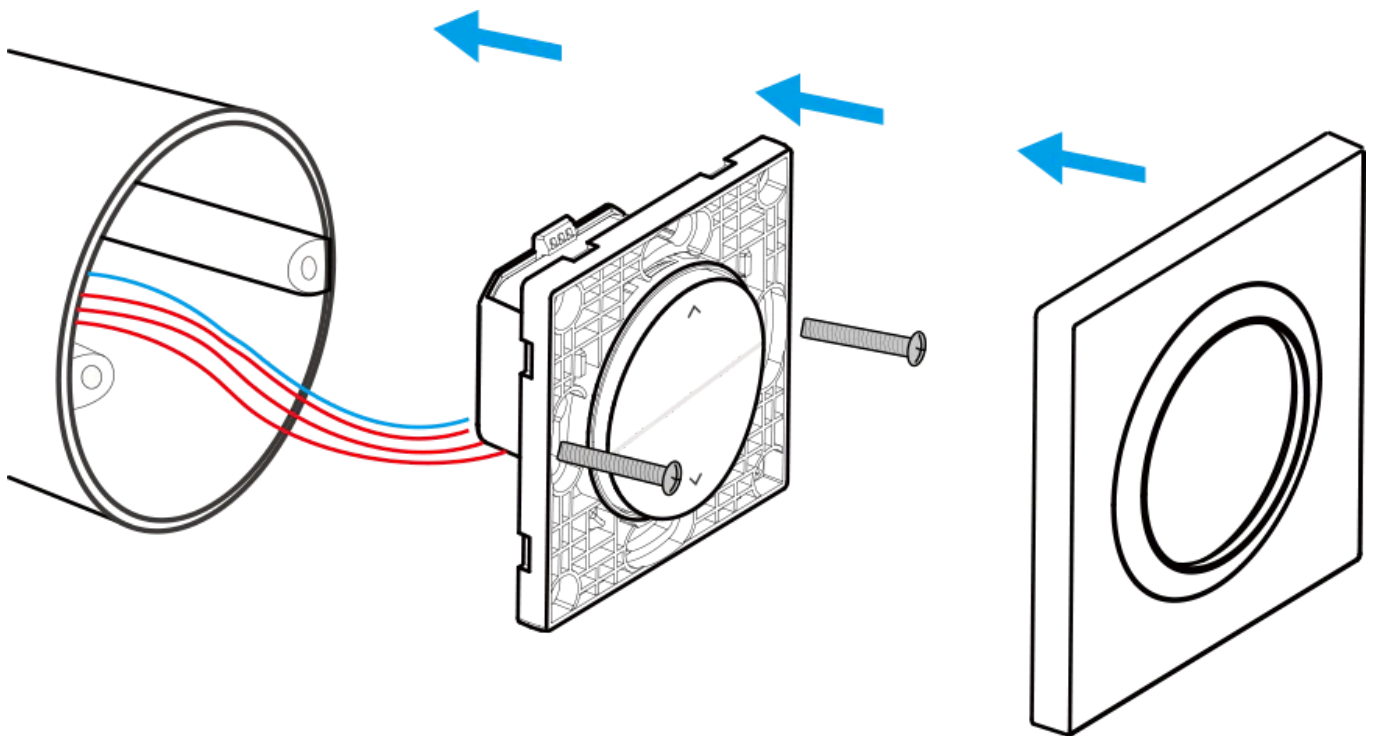


86-Type Mounting Box



European Round Mounting Box
($\Phi 60\text{mm}$, $\Phi 80\text{mm}$)

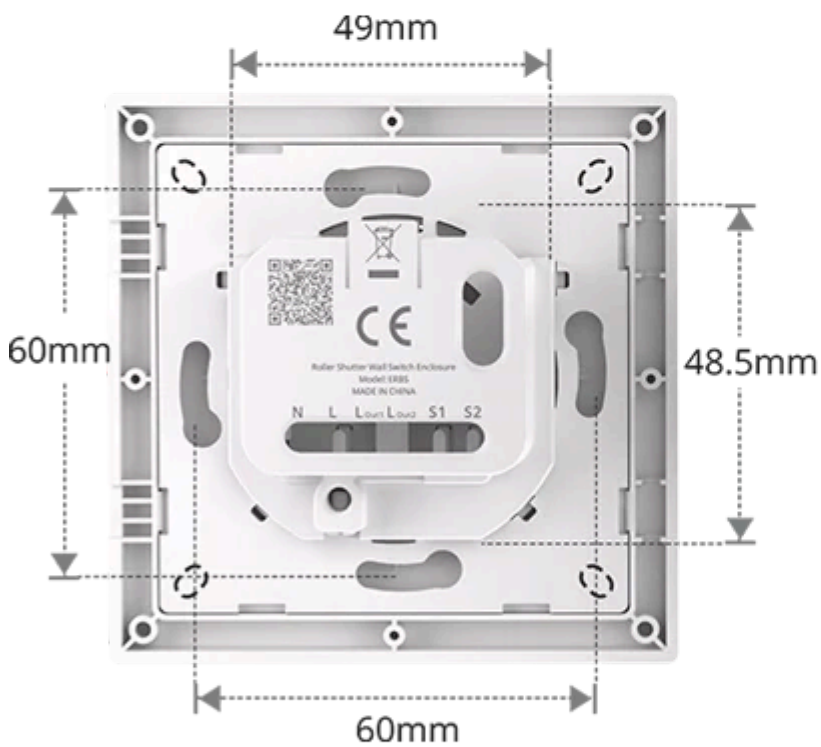
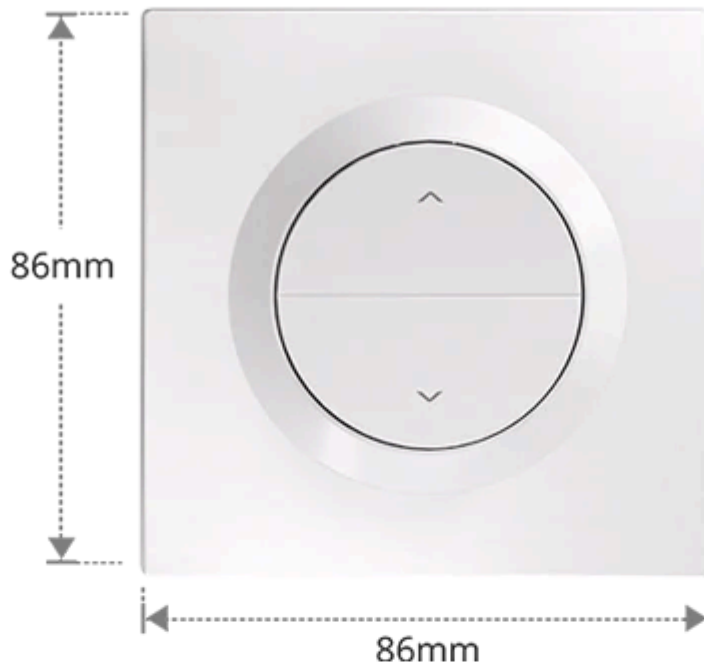
How to Install



Package



Specification



Casing material:
PC

Operating temperature:
-10°C~40°C

Specification

Roller Shutter Wall Switch Enclosure(ERBS) is an accessory designed for MINI-RBS, made of high-quality PC material. ERBS is fireproof, scratch-resistant, and durable without deformation over time. Its clip-on installation design simplifies wiring and improves the user experience. The micro-arc button design aligns with the natural pressing angle, offering precise and effortless tactile feedback. With an ultra-slim 21mm profile, it fits perfectly in standard EU round wall boxes, combining functionality with a sleek, modern appearance.

Model	ERBS
--------------	------

Casing material	PC
------------------------	----

Color	White
--------------	-------

Dimension	86x86x34mm
------------------	------------

Operating temperature	-10°C~40°C
------------------------------	------------

FAQ

What should be paid attention to when installing and removing the "Roller Shutter in-wall Retrofit Module"?

Before installation and removal, make sure to loosen the screws on the "Retrofit Module" and then remove "Retrofit Module" from the ERBS.