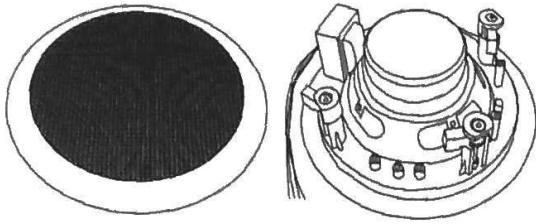
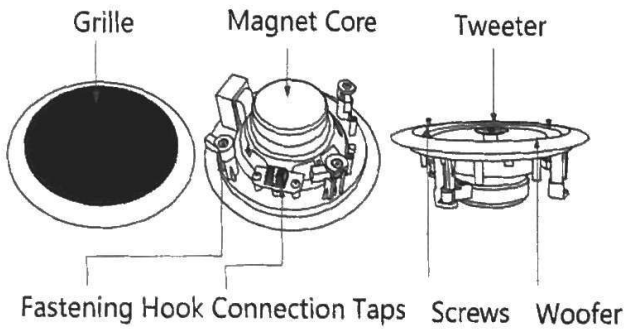


COAXIAL CEILING SPEAKER



Product Details:



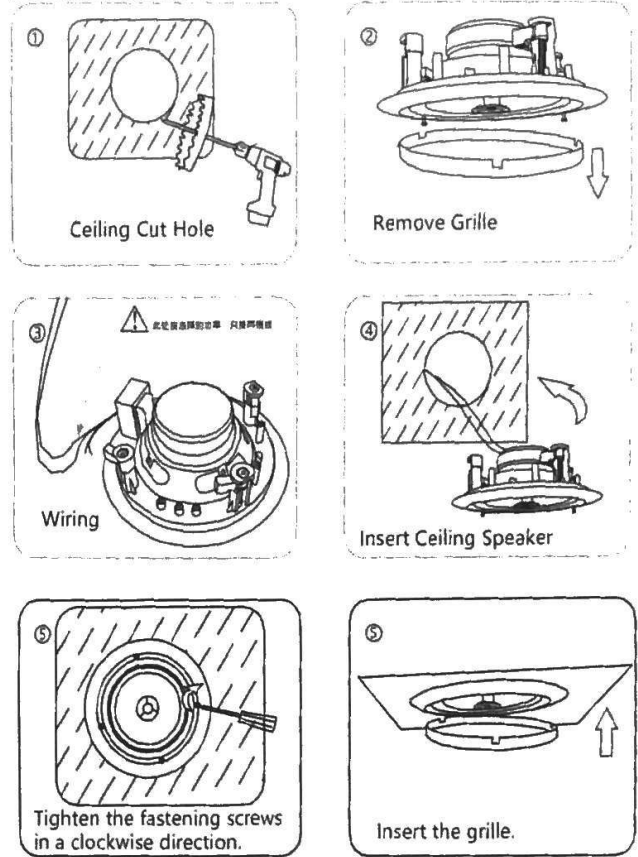
Features:

- ※ Coaxial ceiling speaker system.
- ※ Woofer and tweeter.
- ※ ABS baffle, metal grille.
- ※ Built-in 100V transfer.
- ※ Flush-mount dog ears installation.

Specifications:

Rated Power:	5W/10W/20W	7.5W/15W/30W	10W/20W/40W
Input Voltage:	70V/100V	70V/100V	70V/100V
Sensitivity(1m/1W):	88dB	89dB	90dB
Frequency Response:	100Hz-20KHz	90Hz-20KHz	60Hz-20KHz
Dimension(mm):	Φ203*80mm	Φ230*90mm	Φ270*105mm
Cut Hole(mm):	Φ170mm	Φ200mm	Φ240mm
Material:	ABS,metal	ABS,metal	ABS,metal
Net Weight(kg):	1.25Kg	1.6Kg	2.1Kg
Package Size:	5*1+1*1	6*1+1*1	8*1+1*1

Installation:



Connection :

